

Installation Instructions

AURA-2436-OV/AURA-3048-OV

SUGGESTED TOOLS AND MATERIALS



Screwdriver



Level



Drill



Tape Measure



Safety Glasses



Pencil

PARTS & HAREWARE INCLUDED



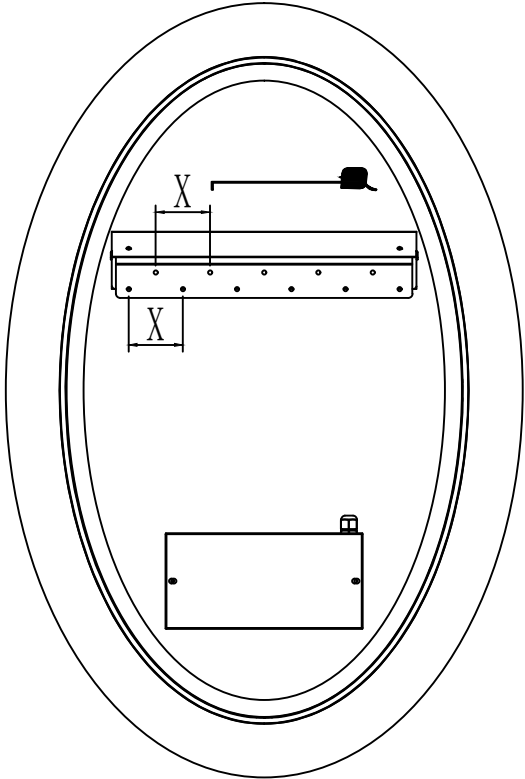
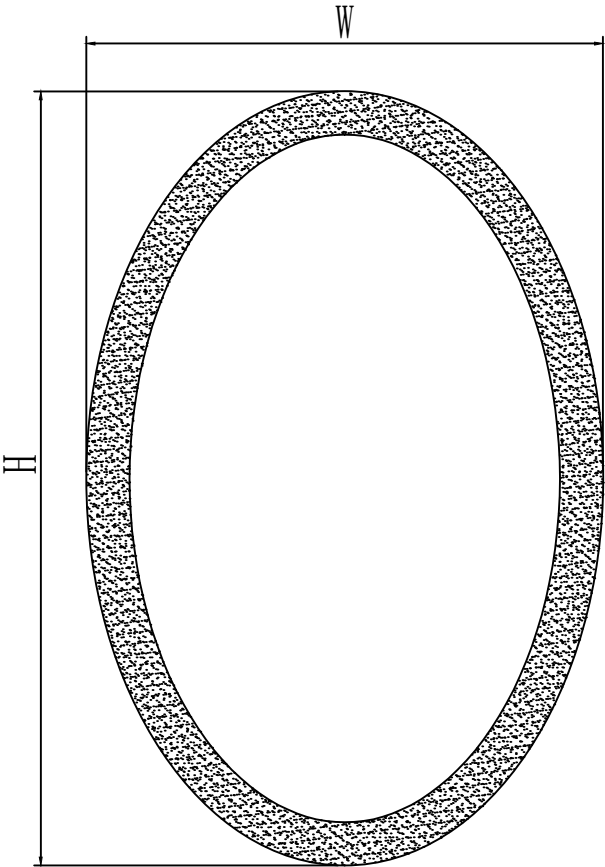
Anchor 6x



Screw 6x



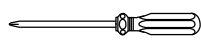
Level 1x



Installation Instructions

AURA-2436-OV/AURA-3048-OV

SUGGESTED TOOLS AND MATERIALS



Screwdriver



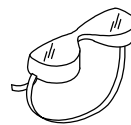
Level



Drill



Tape Measure



Safety Glasses



Pencil

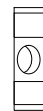
PARTS & HAREWARE INCLUDED



Anchor 6x

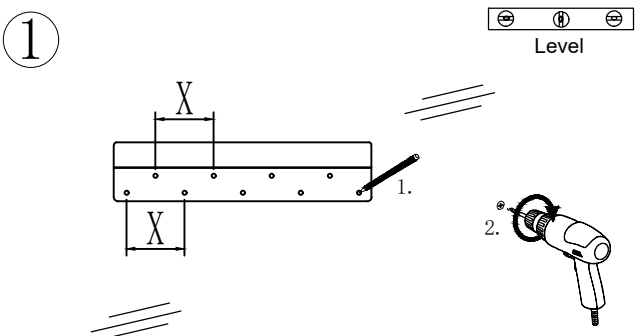


Screw 6x

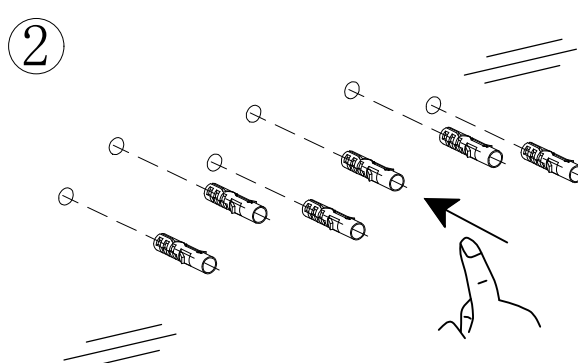


Level 1x

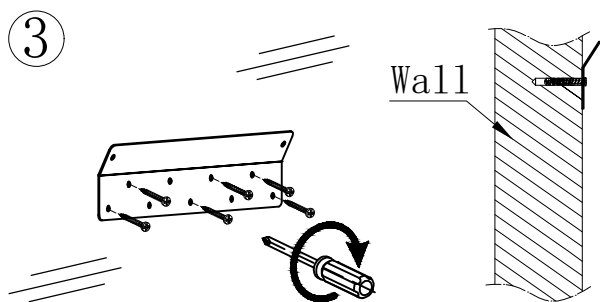
INSTALLATION INSTRUCTIONS



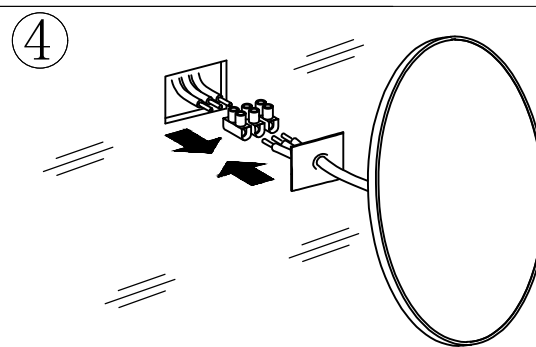
1>Level the hanging cleat with a level ruler and mark the installation hole position of the hanging cleat with a pencil
2>Drill holes



Insert the anchors into the wall(Use at least 5 anchors).

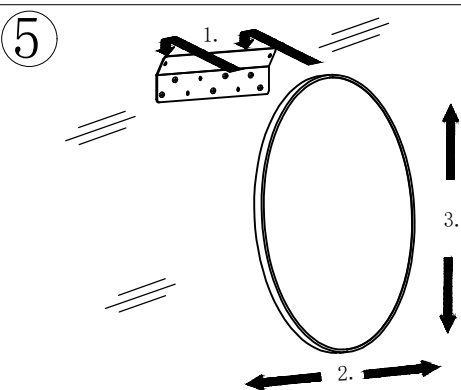


Install the hanging cleat into the wall.
Use 5x45mm screws to hanging cleat to wall(Use at least 5 screws).

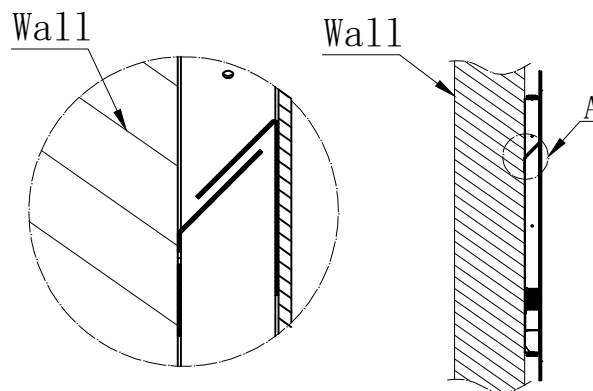


Wiring from light fitting

Neutral Wire			white(N)
Earth(green/yellow)			Green/yellow
Live Wire			black(L)



Hang the mirror onto the wall.



DETAIL A